

Product designation				Power contactor
Product type designation				DPBF80
Contact characteristics				
Number of poles	Nr.	3		
Operational frequency	min	Hz	25	
	max	Hz	400	
Mechanical features				
Operating position	normal allowable	Vertical plan ±30°		
Fixing				Screw / DIN rail 35mm
Weight	g	1020		
Operations				
Mechanical life	cycles	15000000		
Electrical life	cycles	1300000		
Safety related data				
Performance level B10d according to EN/ISO 13489-1	rated load mechanical load	cycles	1300000	
		cycles	15000000	
Mirror contacts according to IEC/EN 60947-4-1				yes
EMC compatibility				yes
AC coil operating				
Rated AC voltage at 60Hz	V	120		
AC operating voltage	of 60Hz coil powered at 60Hz			
	pick-up			
	min	%Us	80	
	max	%Us	110	
	drop-out			
	min	%Us	20	
	max	%Us	55	
AC average coil consumption at 20°C	of 60Hz coil powered at 60Hz			
	in-rush holding	VA	210	
		VA	15	
Dissipation at holding =20°C 50Hz	W	5		
Max cycles frequency				
Mechanical operation	cycles/h	3600		
Operating times				
Average time for Us control in AC				
	Closing NO			
	min	ms	12	
	max	ms	28	
	Opening NO			
	min	ms	8	
	max	ms	22	
	Closing NC			
	min	ms	0	
	max	ms	0	
	Opening NC			

		min	ms	0
in DC				
	Closing NO	min	ms	40
		max	ms	85
	Opening NO	min	ms	20
		max	ms	55

UL technical data

Full-load current (FLA) for three-phase AC motor

at 600V A 80

General USE

Contactor

AC current A 115

Short-circuit protection fuse, 600V

High fault

Short circuit current kA 100

Fuse rating A 200

Fuse class J

Standard fault

Short circuit current kA 10

Fuse rating A 200

Fuse class RK5

Ambient conditions

Temperature

Operating temperature

min °C -50

max °C 70

Storage temperature

min °C -60

max °C 80

Max altitude

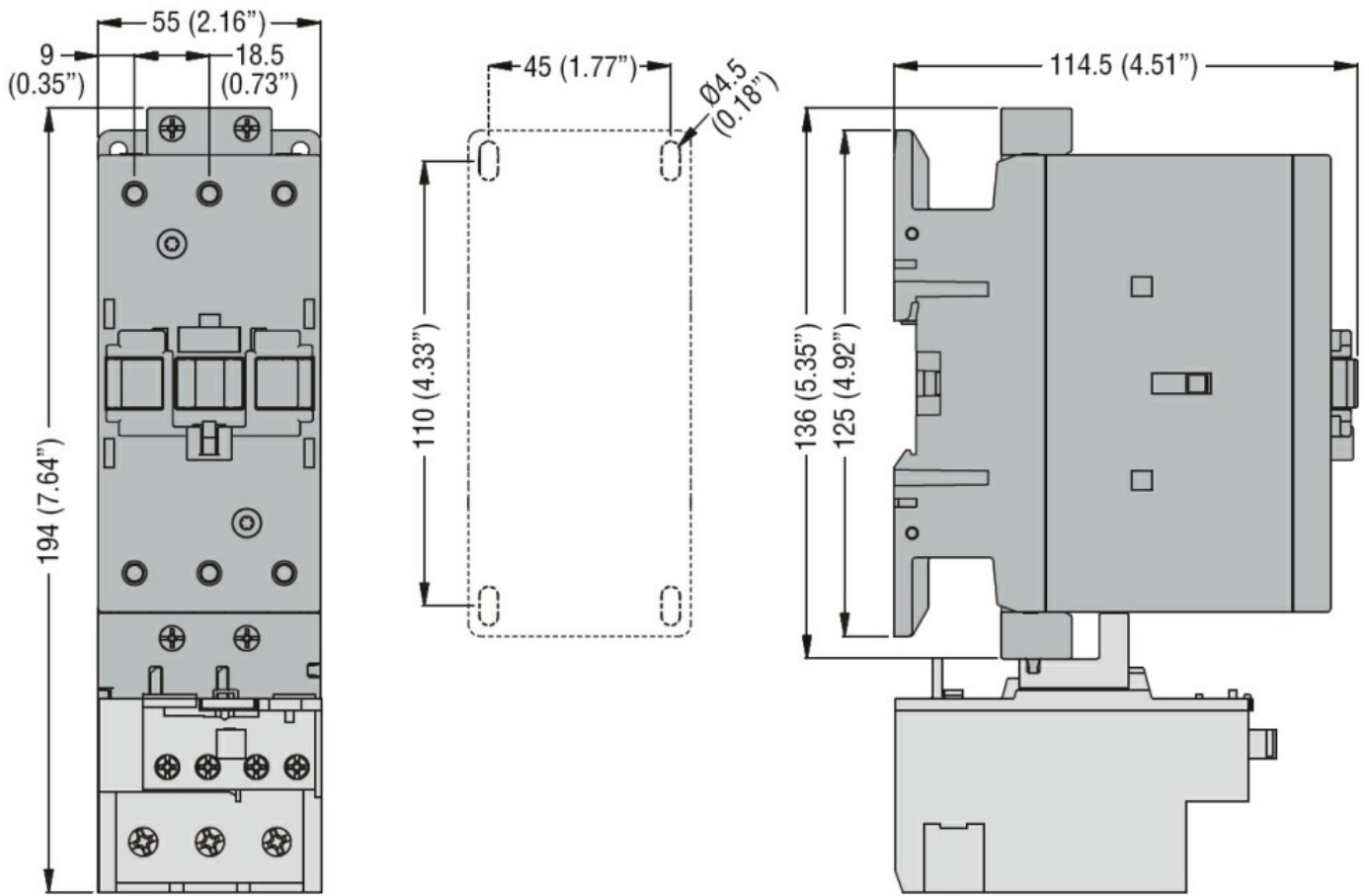
m 3000

Resistance & Protection

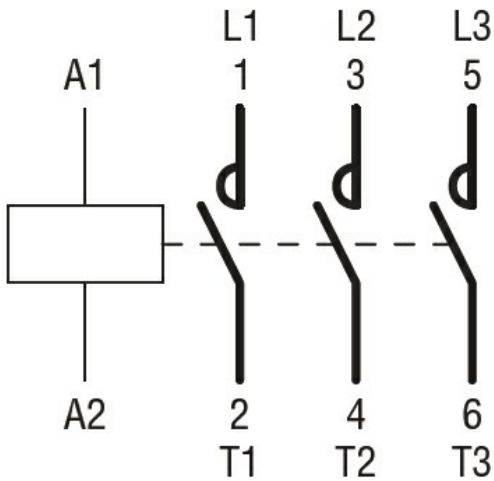
Pollution degree

3

Dimensions



Wiring diagrams



Certifications and compliance

Compliance

CSA C22.2 n° 60947-1
 CSA C22.2 n° 60947-4-68
 UL 60947-1
 UL 60947-4-1

Certificates

cULus

ETIM classification

ETIM 8.0

EC000066 -
Power contactor,
AC switching